

# Hub Charger (CHARGER)

## Accessory Data Sheet

CHARGER 12022020

### SPECIFICATIONS

- > **Input Voltage:** 100-240 VAC
- > **Input Current:** 0.5 A (RMS MAX)
- > **Input Frequency:** 47-63 Hz
- > **Output Voltage:** 5 VDC
- > **Output Current:** 1.2 A
- > **Output Power (rated):** 6 W (MAX)
- > **Operating Temperature:** 0°C to 40°C
- > **Storage Temperature:** -40°C to 80°C
- > **Humidity:** 0% to 90% (REL. HUM.)



Fig. 1. Medical grade charger for your PLUX devices.

### FEATURES

- > Safety approvals:
  - UL60601-1
  - CUL TO 22.2 NO. 601.1-M90
  - INNOVA BAUART TO EN60601-1 CE CLASS II
  - PSE TO J60601-1
  - CB REPORT TO IEC 60601-1:2005 (3rd EDITION)
  - AS/NZ TO 60601-1
  - C-TICK TO EN55011
  - CCC
- > Over-voltage protection
- > Over-current/short circuit protection
- > Input line and neutral fusing



Fig. 2. Wall plug connectors.

### APPLICATIONS

- > Offline device charging
- > Online device charging (depends on device)

### GENERAL DESCRIPTION

Medical grade power supply (Class 2) used to charge PLUX devices. It comes with four wall plug types allowing it to operate on the following areas: North America, Japan, Australia, United Kingdom, Hong Kong, Singapore, Europe and South America.



PLUX – Wireless Biosignals, S.A.  
Av. 5 de Outubro, n. 70 – 8.  
1050-059 Lisbon, Portugal  
plux@plux.info  
<http://biosignalsplux.com/>

REV A

© 2020 PLUX

This information is provided "as is," and we make no express or implied warranties whatsoever with respect to functionality, operability, use, fitness for a particular purpose, or infringement of rights. We expressly disclaim any liability whatsoever for any direct, indirect, consequential, incidental or special damages, including, without limitation, lost revenues, lost profits, losses resulting from business interruption or loss of data, regardless of the form of action or legal theory under which the liability may be asserted, even if advised of the possibility of such damages.

# Hub Charger (CHARGER) Accessory Data Sheet

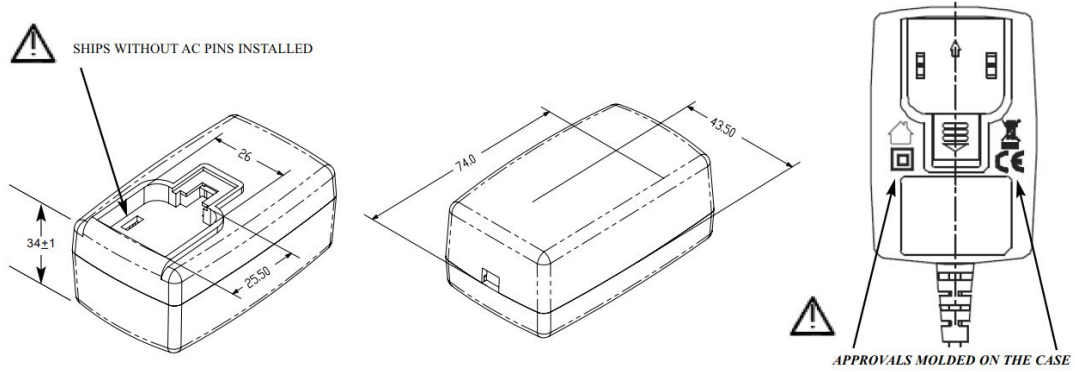


Fig. 3. Charger enclosure. The dimensions are 74x43.5x34 mm.

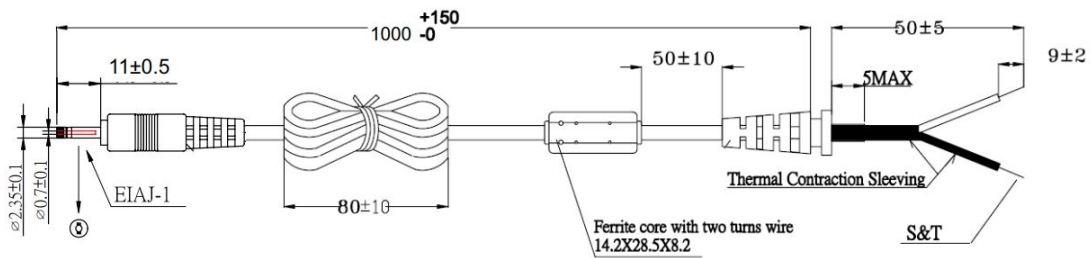


Fig. 4. Output connector and cord type and dimensions. The connector type is a straight EIAJ-1 female barrel 2.35x0.7x11 mm with center positive. The cord is 1 conductor+shield, 18 AWG stranded wire.

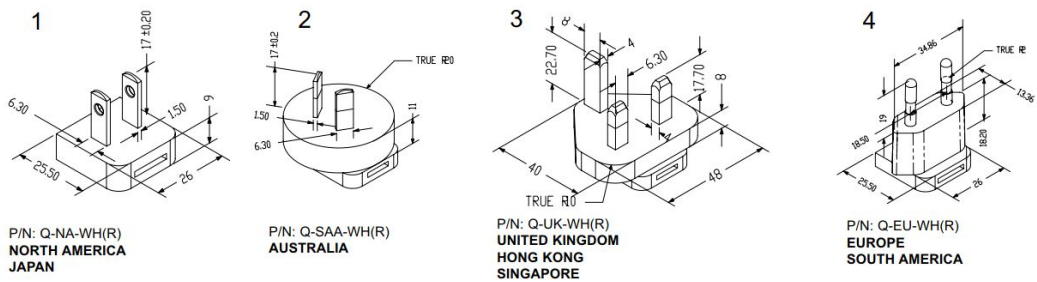


Fig. 5. Input connectors types and dimensions. The available connectors are for North America, Japan, Australia, United Kingdom, Hong Kong, Singapore, Europe and South America.

## PHYSICAL CHARACTERISTICS

- > **Size:** 74x43.5x34 mm
- > **Weight:** 205 g

# Hub Charger (CHARGER) Accessory Data Sheet

---

## **ORDERING GUIDE**

<b>Reference</b>	<b>Package Description</b>
CMP-HUBCG-EU-CEE7	Medical grade charger for PLUX devices with four wall plug types for the following areas: North America, Japan, Australia, United Kingdom, Hong Kong, Singapore, Europe and South America.